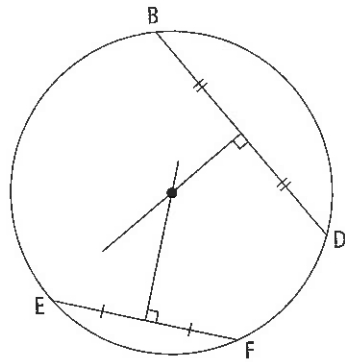


10.2 Exploring Chord Properties

1. a)–c)



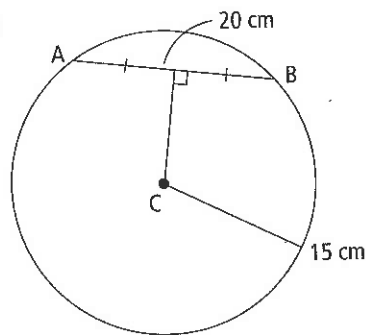
2. a) centre, bisectors, chords

b) bisector, chord, centre

c) centre, bisector, chord

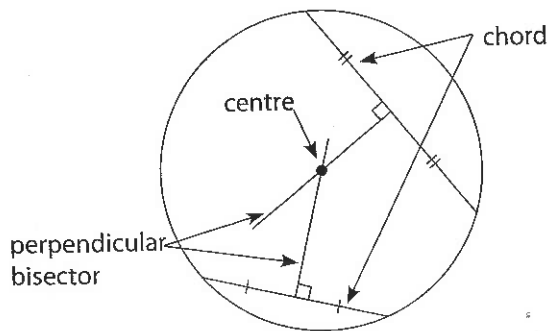
d) centre, chord, bisector

3. a)



b) 11.2 cm

4.



5. a) 14.28 cm b) 5.72 cm c) approximately 3.5 cm

6. 15.28 cm

7. a) Example: Use the rope to create two chords and their perpendicular bisectors; the centre of the circle is where the bisectors meet.

b) approximately 5.3 m